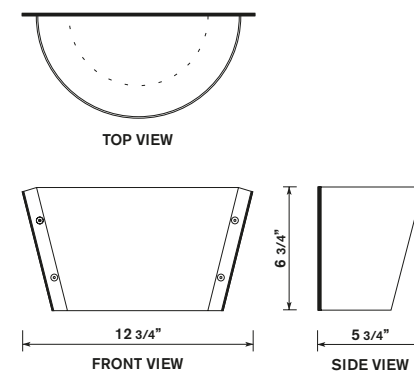


ASPEKT

Model 270



model | 270



aspekt | model 270

Boldly simple, this series of luminaires illuminates any space using efficient compact fluorescent or warm incandescent lampings, a soft glowing light diffusing lens and a creative range of design options.

MODEL	LAMPING	BALLAST	VOLTAGE	FINISH	OPTIONS
-------	---------	---------	---------	--------	---------

model **270** - aspekt: model 270

lamping **Fluorescent**
13 - (1) 13 watt • Quad G24q-1 base
26 - (1) 26 watt • Quad G24q-3 base
Incandescent
64 - (1) 100 watt • A-19 Medium base

ballast **E** - Electronic - High Power Factor

voltage **U** - Universal: 120 through 277V
1 - 120 Volt

finish **BK** - Black
WH - White
TT - Titanium
BZ - Bronze
CS - Custom Finish
BA - Brushed solid aluminum

options **D** - Dimming (26 watt only)

how to specify: **270 26 E 1 TT D**
model | lamping | ballast | voltage | finish | options

photometrics:
• download .ies format file for model 270 at www.electrix.com

technical notes:
• 16 gauge aluminum housing

diffuser lens:
• included

mounting:
• mounts to standard 4" electrical wall junction box

