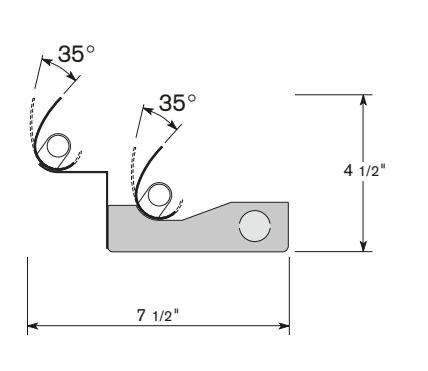


AX-D T5 HO

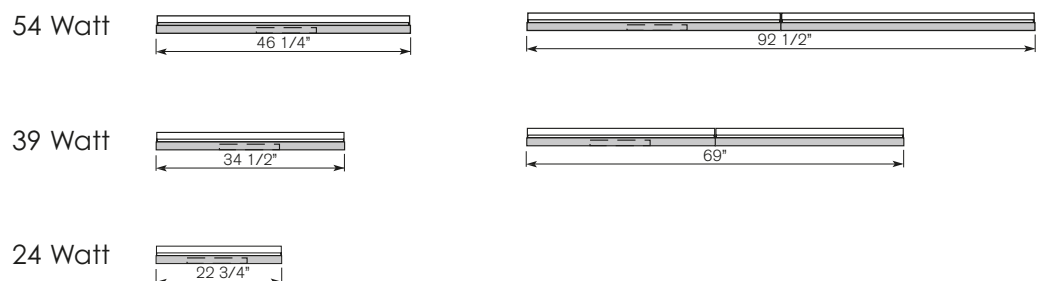
Dual Adjustable Linear Fluorescent - patent pending



axd | T5 high output performance linear cove system

- Dual asymmetric reflectors independently adjust 35 degrees to control luminance
- Reflectors lock with set screw and link to adjacent unit for symmetrical distribution
- Extruded aluminum asymmetric reflector
- Concealed cove lighting system designed for high output performance T5 lamps
- Direct light across the wall or ceiling with bright uniform distribution
- Die cast end caps allow sockets to be back to back eliminating shadows
- Die cast end caps also simplify and greatly reduce installation time and cost
- UL & CUL listed locations
- Electronic, High Power Factor ballasts

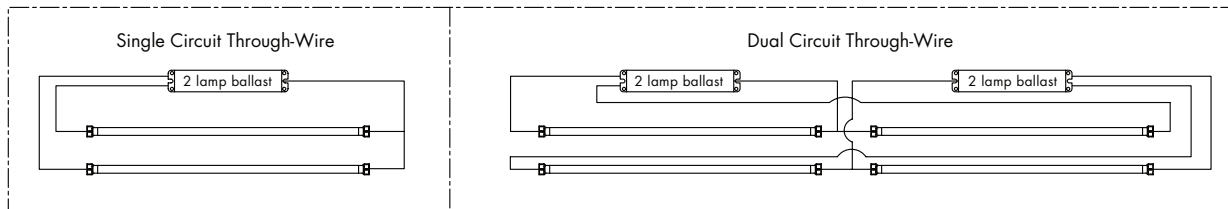
front view:



how to specify: AX-D 54 1 D1 46

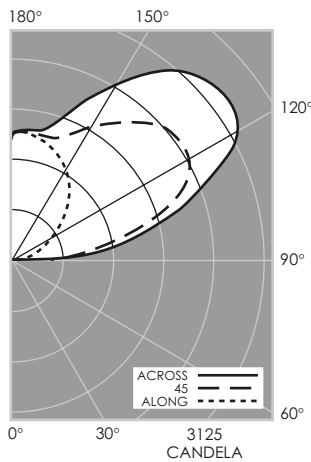
PRODUCT	LAMP	VOLTAGE	BALLAST	LUMINAIRE LENGTH	OPTIONS
AX-D - T5 High Output	54 - 54 watt T5 HO 39 - 39 watt T5 HO 24 - 24 watt T5 HO	U - Universal 120 through 277v <i>Please Specify Voltage For Dimming</i> 1 - 120V 2 - 277V	E - Electronic High Power Factor D1 - Digital Dimming DALI compatible (54 watt only) D2 - 0 to 10 volt control system (54 watt only) D3 - Lutron Eco-10™ D4 - Lutron Hi-Lume®	92 - 54 watt / 92.5 in. 46 - 54 watt / 46.25 in. 69 - 39 watt / 69 in. 34 - 39 watt / 34.5 in. 22 - 24 watt / 22.75 in.	EM - Emergency Ballast 4' nominal lamp only

standard wiring configuration
(unless otherwise specified)



photometric data | catalog no. AX-D 54 U E 46

lighting sciences, inc. | report no. 19272



Zone	Lumens	% Lamp	% Fixt
0-30°	0	0.00	0.00
0-60°	1	0.02	0.03
0-90°	134	1.50	2.02
90-180°	6559	72.88	97.98
Total Fixture			
0-180°	6694	74.38	100.00
Efficiency: 74.4%			

Angle	Along	22.5°	45°	67.5°	Across	Output Lumens
0°	0	0	0	0	0	
5°	0	0	0	0	0	0
15°	0	0	0	0	0	0
25°	0	0	0	0	0	0
35°	0	0	0	0	0	0
45°	0	0	0	0	0	0
55°	0	0	0	0	0	0
65°	0	0	0	0	0	0
75°	0	0	5	22	27	6
85°	0	20	180	356	413	109
90°	4	261	496	655	709	
95°	53	596	884	1068	1122	425
105°	274	1229	1713	1951	1993	788
115°	535	1510	2410	2807	2852	1033
125°	800	1513	2565	3169	3371	1042
135°	1047	1478	2451	3073	3276	883
145°	1260	1428	2091	2638	2862	646
155°	1430	1504	1727	2086	2217	415
165°	1549	1568	1611	1659	1682	230
175°	1610	1595	1596	1600	1602	78
180°	1590	1590	1590	1590	1590	

