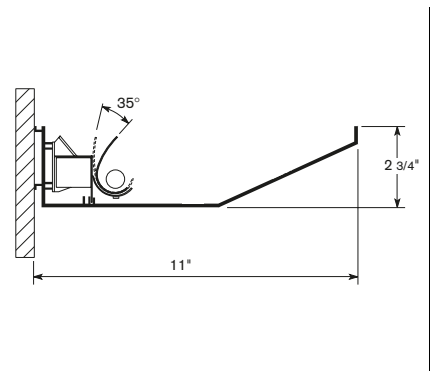


## LL11 T5 HO

LumiEdge® Adjustable Linear Fluorescent Cove System - patent pending



LL11 | LumiEdge® T5 high output performance linear cove system

#### architectural cove quality

- LumiEdge® creates a clean, uniform and virtually seamless cove system
- Control cove horizontal and vertical surface quality while minimizing installation time
- Labor and material cost to frame and sheetrock a wood cove have been eliminated
- Electronic, High Power Factor integral ballast

#### photometric performance

- LumiEdge® with an 11" wide profile has improved photometric performance
- Extruded aluminum asymmetric reflector with specular finish
- Flexibility to adjust and control luminance up to 35 degrees
- Optic system with excellent performance produces smooth lumen distribution

#### clean aesthetics

- Solid one piece extruded aluminum body
- Standard finish is white, powder coat, baked enamel; also available is a primer finish suitable for paint-matching in the field

LL.10

how to specify: LL11 54 S1 1 D1 46 WH

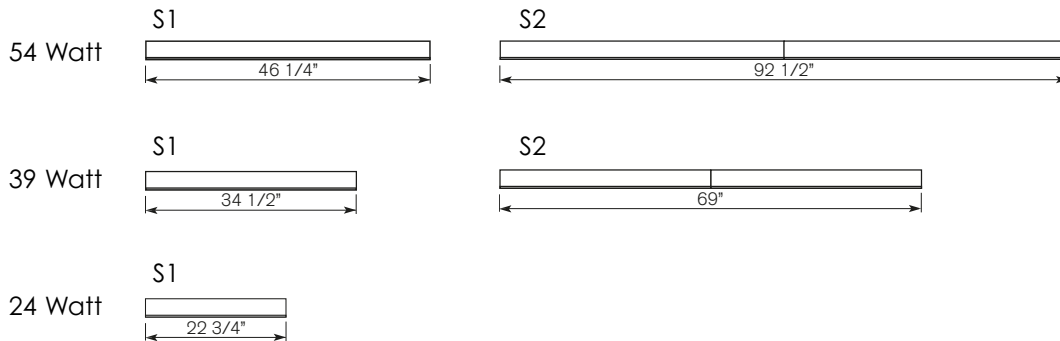
PRODUCT	LAMP	LAMP CONFIG.	VOLTAGE	BALLAST	LUMINAIRE LENGTH	FINISH
LL11 - T5 High Output	54 - 54 watt T5 HO 39 - 39 watt T5 HO 24 - 24 watt T5 HO	S2 - 2 lamps (Tandem) S1 - 1 lamp	U - Universal 120 through 277v  <i>Please Specify Voltage For Dimming</i> 1 - 120V 2 - 277V	E - Electronic High Power Factor  D1 - Digital Dimming DALI compatible (54 watt only) D2 - 0 to 10 volt control system (54 watt only) D3 - Lutron Eco-10™ D4 - Lutron Hi-Lume®	92 - 54 watt / S2 / 92.5 in. 46 - 54 watt / S1 / 46.25 in. 69 - 39 watt / S2 / 69 in. 34 - 39 watt / S1 / 34.5 in. 22 - 24 watt / S1 / 22.75 in.	WH - White BK - Black TT - Titanium CS - Custom PR - Primer*  <i>*Primer Finish is suitable for field painting</i>

**OPTIONS**

EC - End Caps  
*Includes both  
left and right*

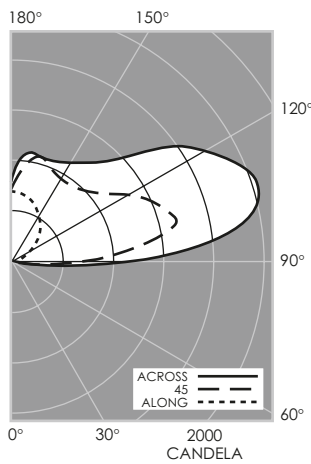
Color swatches  
are located on  
page REF.10

front view:



photometric data | curve for one 54 watt T5 HO lamp

lighting sciences, inc. | report no. 17169



Zone	Lumens	% Lamp	% Fixt
0-30°	0	0.00	0.00
0-60°	0	0.00	0.00
0-90°	175	3.89	5.24
90-180°	3165	70.34	94.76
<b>Total Fixture</b>			
0-180°	3340	74.23	100.00
<b>Efficiency: 74.2%</b>			

Angle	Along	22.5°	45°	67.5°	Across	Output Lumens
0°	0	0	0	0	0	
5°	0	0	0	0	0	0
15°	0	0	0	0	0	0
25°	0	0	0	0	0	0
35°	0	0	0	0	0	0
45°	0	0	0	0	0	0
55°	0	0	0	0	0	0
65°	0	0	0	0	0	0
75°	0	0	3	19	31	7
85°	0	13	340	401	619	168
90°	0	329	791	1039	1187	
95°	11	577	1119	1503	1627	531
105°	81	541	1349	1839	2008	621
115°	168	489	1153	1625	1866	530
125°	261	532	872	1283	1532	402
135°	346	615	803	961	1082	301
145°	418	730	764	866	939	238
155°	472	761	798	828	846	176
165°	511	689	839	864	859	108
175°	532	585	646	655	686	32
180°	527	527	527	527	527	

LL11 T5 HO Lumiledge® adjustable linear fluorescent

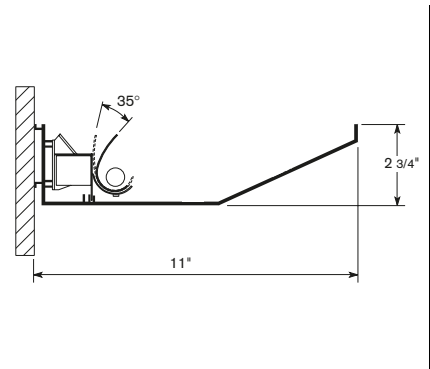
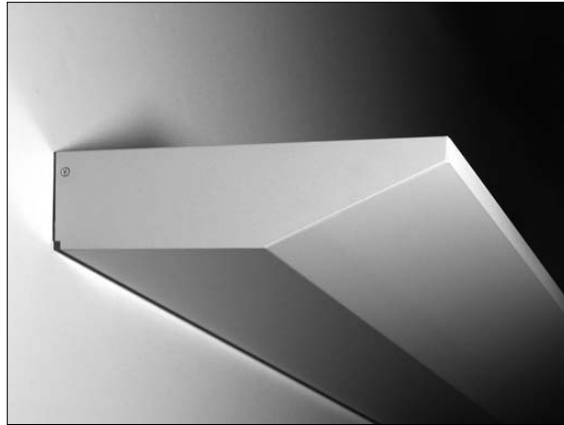
LL.11

electrix



## LL11 T5

LumiEdge® Adjustable Linear Fluorescent Cove System - patent pending



## LL11 | LumiEdge® T5 performance linear cove system

## architectural cove quality

- LumiEdge® creates a clean, uniform and virtually seamless cove system
- Control cove horizontal and vertical surface quality while minimizing installation time
- Labor and material cost to frame and sheetrock a wood cove have been eliminated
- Electronic, High Power Factor integral ballast

## photometric performance

- LumiEdge® with an 11" wide profile has improved photometric performance
- Extruded aluminum asymmetric reflector with specular finish
- Flexibility to adjust and control luminance up to 35 degrees
- Optic system with excellent performance produces smooth lumen distribution

## clean aesthetics

- Solid one piece extruded aluminum body
- Standard finish is white, powder coat, baked enamel; also available is a primer finish suitable for paint-matching in the field

how to specify: LL11 28 S1 1 D1 46 WH

PRODUCT	LAMP	LAMP CONFIG.	VOLTAGE	BALLAST	LUMINAIRE LENGTH	FINISH
LL11 - T5	28 - 28 watt T5 21 - 21 watt T5 14 - 14 watt T5	S2 - 2 lamps (Tandem) S1 - 1 lamp	U - Universal 120 through 277v  Please Specify Voltage For Dimming 1 - 120V 2 - 277V	E - Electronic High Power Factor  D1 - Digital Dimming DALI compatible  D3 - Lutron Eco-10™	92 - 28 watt / S2 / 92.5 in. 46 - 28 watt / S1 / 46.25 in. 69 - 21 watt / S2 / 69 in. 34 - 21 watt / S1 / 34.5 in. 22 - 14 watt / S1 / 22.75 in.	WH - White BK - Black TT - Titanium CS - Custom PR - Primer*

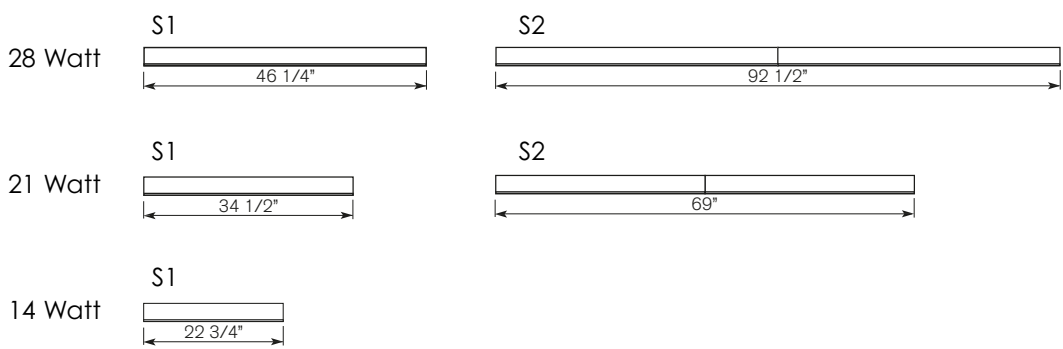
\*Primer Finish is suitable for field painting

**OPTIONS**

EC - End Caps  
Includes both left and right

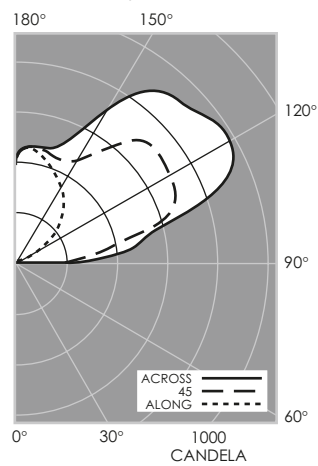
Color swatches are located on page REF.10

front view:



photometric data | curve for one 28 watt T5 lamp

lighting sciences, inc. | report no. 19273



Zone	Lumens	% Lamp	% Fixt
0-30°	0	0.00	0.00
0-60°	0	0.00	0.00
0-90°	42	1.63	2.17
90-180°	1916	73.44	97.83
<b>Total Fixture</b>			
0-180°	1959	75.07	100.00
<b>Efficiency: 75.1 %</b>			

Angle	Along	22.5°	45°	67.5°	Across	Output Lumens
0°	0	0	0	0	0	
5°	0	0	0	0	0	0
15°	0	0	0	0	0	0
25°	0	0	0	0	0	0
35°	0	0	0	0	0	0
45°	0	0	0	0	0	0
55°	0	0	0	0	0	0
65°	0	0	0	0	0	0
75°	0	0	0	3	3	1
85°	0	4	54	113	135	42
90°	0	106	204	269	291	
95°	17	201	337	426	450	158
105°	82	353	607	658	659	261
115°	159	434	703	893	954	317
125°	238	394	724	901	968	294
135°	310	368	689	869	919	245
145°	372	406	504	726	801	175
155°	421	442	465	497	520	110
165°	456	465	473	480	483	67
175°	474	473	474	474	474	23
180°	471	471	471	471	471	



LL11 T5 Lumiledge® adjustable linear fluorescent

LL.13

