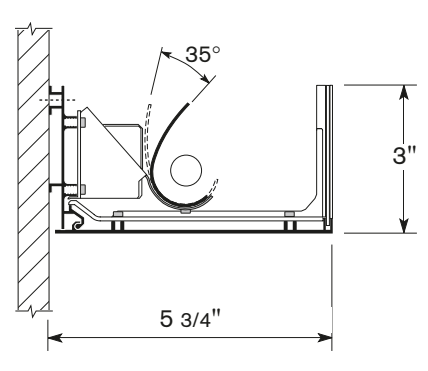


LL5 T5 HO

LumiEdge® Adjustable Linear Fluorescent Cove System - patent pending



LL5 | LumiEdge® T5 high output performance linear cove system

architectural cove quality

- LumiEdge® creates a clean, uniform and virtually seamless cove system
- Control cove horizontal and vertical surface quality while minimizing installation time
- Labor and material cost to frame and sheetrock a wood cove have been eliminated
- Electronic, High Power Factor integral ballast

photometric performance

- LumiEdge® has an extruded aluminum asymmetric reflector with specular finish
- Flexibility to adjust and control luminance up to 35 degrees
- Optic system with excellent performance produces smooth lumen distribution

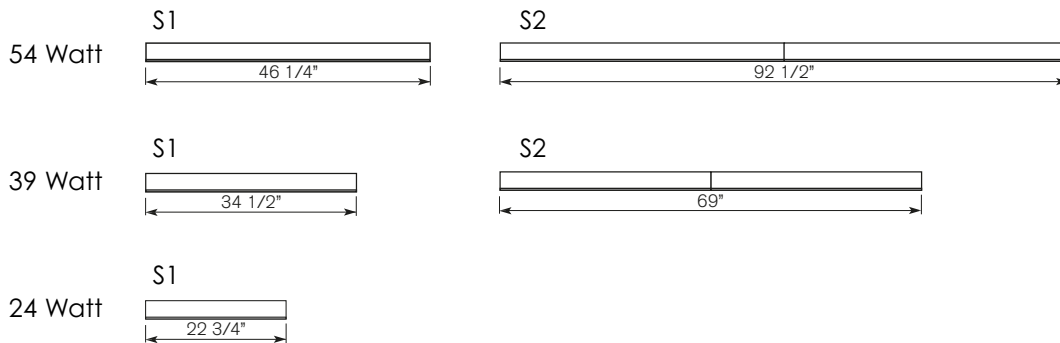
clean aesthetics

- Available with translucent face that creates a luminous cove facade
- Standard finish is white, powder coat, baked enamel; also available is a primer finish suitable for paint-matching in the field

how to specify: LL5 54 S1 1 D1 46 WH

PRODUCT	LAMP	LAMP CONFIG.	VOLTAGE	BALLAST	LUMINAIRE LENGTH	FACE PANEL
LL5 - T5 High Output	54 - 54 watt T5 HO 39 - 39 watt T5 HO 24 - 24 watt T5 HO	S2 - 2 lamps (Tandem) S1 - 1 lamp	U - Universal 120 through 277v <i>Please Specify Voltage For Dimming</i> 1 - 120V 2 - 277V	E - Electronic High Power Factor D1 - Digital Dimming DALI compatible (54 watt only) D2 - 0 to 10 volt control system (54 watt only) D3 - Lutron Eco-10™ D4 - Lutron Hi-Lume®	92 - 54 watt / S2 / 92.5 in. 46 - 54 watt / S1 / 46.25 in. 69 - 39 watt / S2 / 69 in. 34 - 39 watt / S1 / 34.5 in. 22 - 24 watt / S1 / 22.75 in.	WH - White BL - Blue WB - Bamboo MA - Mahogany MR - Marble CS - Custom PR - Primer* <small>*Primer Finish is suitable for field painting</small>

front view:

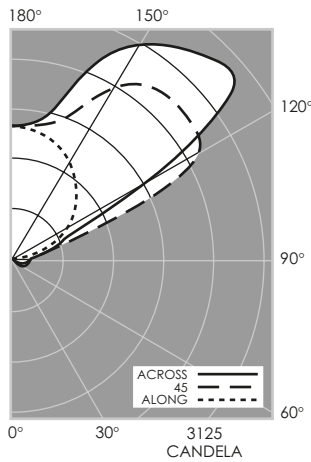


OPTIONS
EC - End Caps
Includes both
left and right

Color swatches
are located on
page REF.10

photometric data | catalog no. LL5 54 S1 U E 46 WH

lighting sciences, inc. | report no. 20648



Luminance Summary

Angle	Along	45°	Across
45°	0	93	164
55°	0	147	237
65°	0	240	351
75°	0	406	575
85°	0	967	1243

Zone	Lumens	% Lamp	% Fixt
0-30°	12	0.13	0.19
0-60°	98	1.10	1.53
60-90°	190	2.12	2.96
90-180°	6147	68.31	95.50
Total Fixture			
0-180°	6436	71.52	100.00

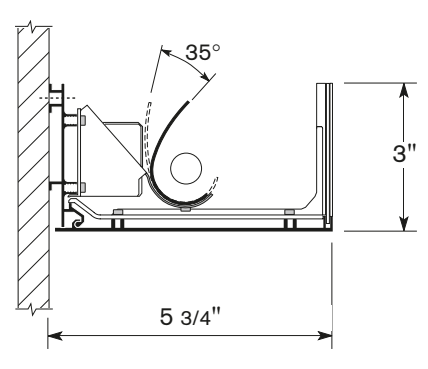
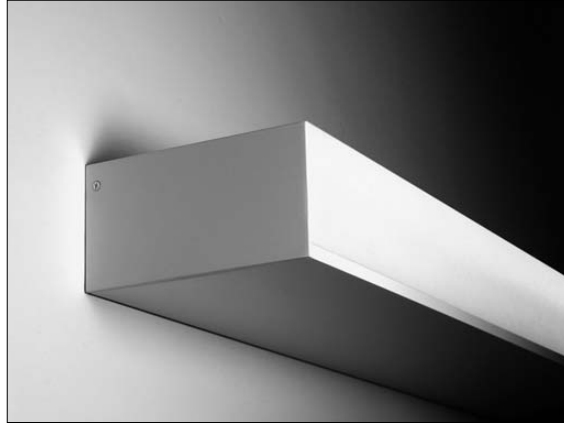
Efficiency: 71.5%

Angle	Along	67.5°	45°	22.5°	Across	Output Lumens
0°	0	0	0	0	0	0
5°	0	1	5	8	12	0
15°	0	9	22	30	43	3
25°	0	17	39	55	74	9
35°	0	25	56	84	104	17
45°	0	33	75	118	134	28
55°	0	42	97	147	161	41
65°	0	53	121	168	184	54
75°	0	62	135	186	204	64
85°	0	76	146	197	216	72
90°	2	91	150	200	220	
95°	66	160	157	205	226	98
105°	286	1002	447	419	400	288
115°	556	1583	1690	941	829	625
125°	831	1847	2696	2819	2630	1000
135°	1084	1872	2748	3270	3472	980
145°	1301	1694	2662	3103	3249	763
155°	1475	1636	2168	2684	2844	501
165°	1595	1660	1756	1870	1934	255
175°	1656	1667	1680	1678	1677	82
180°	1656	1656	1656	1656	1656	



LL5 T5

LumiLedge® Adjustable Linear Fluorescent Cove System - patent pending



LL5 | LumiLedge® T5 performance linear cove system

architectural cove quality

- LumiLedge® creates a clean, uniform and virtually seamless cove system
- Control cove horizontal and vertical surface quality while minimizing installation time
- Labor and material cost to frame and sheetrock a wood cove have been eliminated
- Electronic, High Power Factor integral ballast

photometric performance

- LumiLedge® has an extruded aluminum asymmetric reflector with specular finish
- Flexibility to adjust and control luminance up to 35 degrees
- Optic system with excellent performance produces smooth lumen distribution

clean aesthetics

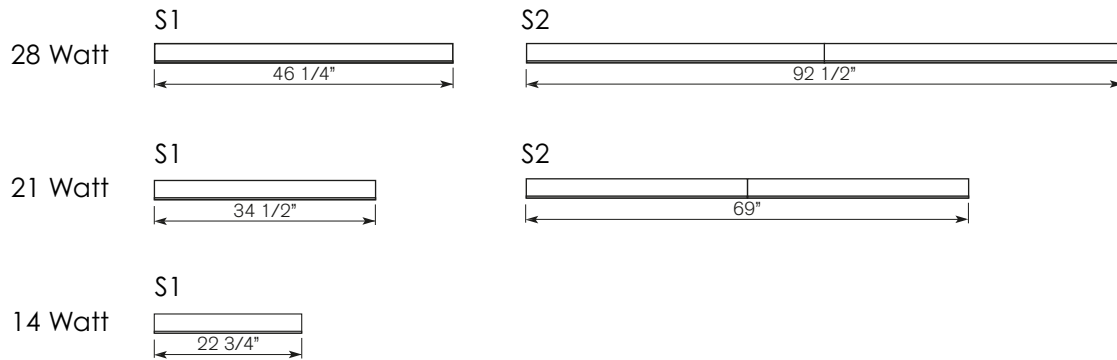
- Available with translucent face that creates a luminous cove facade
- Standard finish is white, powder coat, baked enamel; also available is a primer finish suitable for paint-matching in the field

how to specify: LL5 28 S1 1 D1 46 WH

PRODUCT	LAMP	LAMP CONFIG.	VOLTAGE	BALLAST	LUMINAIRE LENGTH	FACE PANEL
LL5 - T5	28 - 28 watt T5	S2 - 2 lamps (Tandem)	U - Universal 120 through 277v	E - Electronic High Power Factor	92 - 28 watt / S2 / 92.5 in.	WH - White
	21 - 21 watt T5	S1 - 1 lamp	<i>Please Specify Voltage For Dimming</i>	D1 - Digital Dimming DALI compatible	46 - 28 watt / S1 / 46.25 in.	BL - Blue
	14 - 14 watt T5		1 - 120V 2 - 277V	D3 - Lutron Eco-10™	69 - 21 watt / S2 / 69 in. 34 - 21 watt / S1 / 34.5 in. 22 - 14 watt / S1 / 22.75 in.	WB - Bamboo MA - Mahogany MR - Marble CS - Custom PR - Primer*
						<i>*Primer Finish is suitable for field painting</i>
						OPTIONS
						EC - End Caps <i>Includes both left and right</i>

Color swatches
are located on
page REF.10

front view:



LL5 T5 Lumiledge® adjustable linear fluorescent

LL.5

electrix

