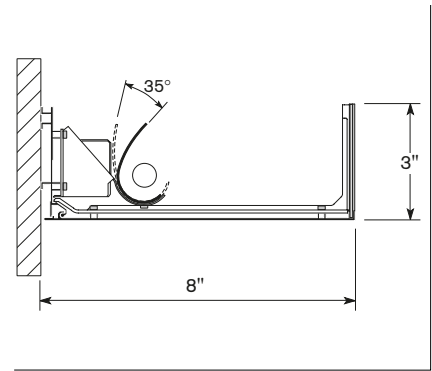
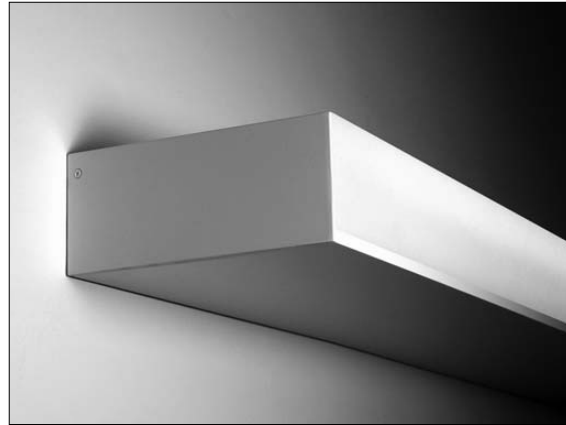


LL8 T5 HO

LumiLedge® Adjustable Linear Fluorescent Cove System - patent pending



LL8 | LumiLedge® T5 high output performance linear cove system

architectural cove quality

- LumiLedge® creates a clean, uniform and virtually seamless cove system
- Control cove horizontal and vertical surface quality while minimizing installation time
- Labor and material cost to frame and sheetrock a wood cove have been eliminated
- Electronic, High Power Factor integral ballast

photometric performance

- LumiLedge® with an 8" wide profile has improved photometric performance
- Extruded aluminum asymmetric reflector with specular finish
- Flexibility to adjust and control luminance up to 35 degrees
- Optic system with excellent performance produces smooth lumen distribution

clean aesthetics

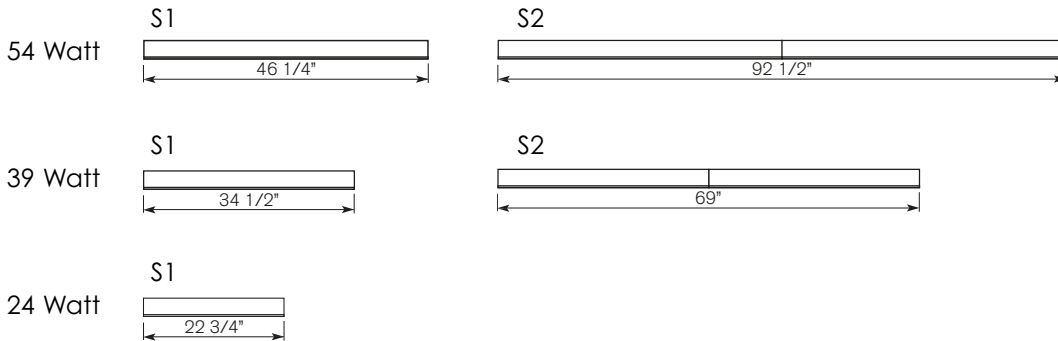
- Available with opaque or translucent face
- Translucent face creates a luminous cove facade
- Opaque face can be painted any color to seamlessly blend cove system into environment
- Standard finish is white, powder coat, baked enamel; also available is a primer finish suitable for paint-matching in the field

how to specify: LL8 54 S1 1 D1 46 WH

PRODUCT	LAMP	LAMP CONFIG.	VOLTAGE	BALLAST	LUMINAIRE LENGTH	FACE PANEL
LL8 - T5 High Output	54 - 54 watt T5 HO	S2 - 2 lamps (Tandem)	U - Universal 120 through 277v	E - Electronic High Power Factor	92 - 54 watt / S2 / 92.5 in.	WH - White
	39 - 39 watt T5 HO	S1 - 1 lamp	<i>Please Specify Voltage For Dimming</i> 1 - 120V	D1 - Digital Dimming DALI compatible (54 watt only)	46 - 54 watt / S1 / 46.25 in.	BL - Blue
	24 - 24 watt T5 HO		2 - 277V	D2 - 0 to 10 volt control system (54 watt only)	69 - 39 watt / S2 / 69 in.	WB - Bamboo
				D3 - Lutron Eco-10™	34 - 39 watt / S1 / 34.5 in.	MA - Mahogany
				D4 - Lutron Hi-Lume®	22 - 24 watt / S1 / 22.75 in.	MR - Marble
						EA - Extruded Aluminum
						CS - Custom
						PR - Primer*

*Primer Finish
is suitable for
field painting

front view:



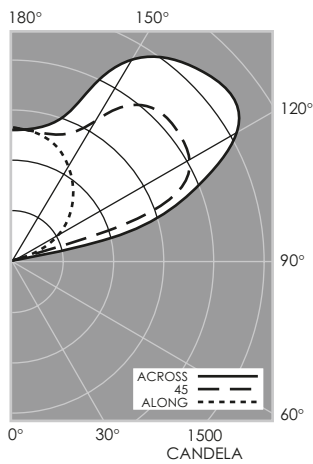
OPTIONS

EC - End Caps
Includes both
left and right

Color swatches
are located on
page REF.10

photometric data | catalog no. LL8 54 S1 U E 46

lighting sciences, inc. | report no. 19451



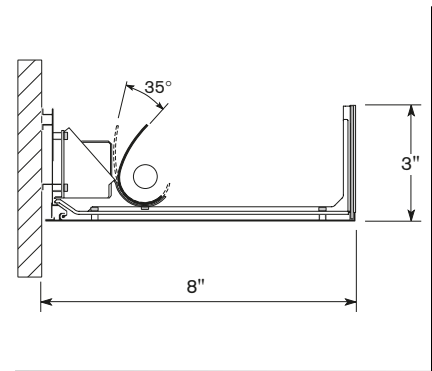
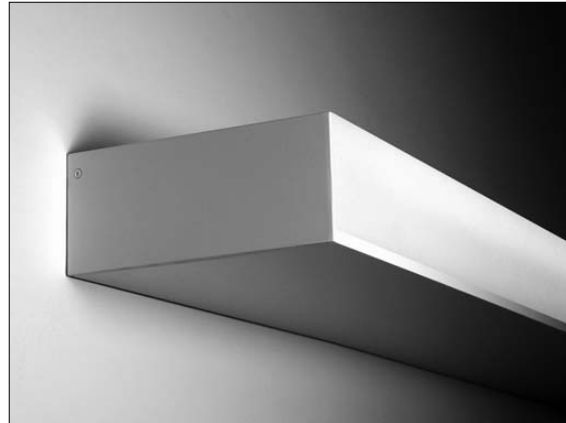
Zone	Lumens	% Lamp	% Fixt
180-150°	647	14.38	21.67
180-120°	2244	49.88	75.13
180-90°	2987	66.39	100.00
120-90°	743	16.51	24.87
Total Fixture			
0-180°	2987	66.39	100.00
Efficiency: 66.4%			

Angle	Along	22.5°	45°	67.5°	Across	Output Lumens
180°	778	778	778	778	778	
175°	785	781	781	782	782	38
170°	774	776	784	794	798	
165°	755	765	787	814	826	112
160°	730	752	797	878	925	
155°	699	732	836	1053	1154	208
150°	660	712	947	1267	1363	
145°	617	693	1100	1392	1475	331
140°	568	687	1202	1459	1543	
135°	514	711	1241	1496	1591	
130°	455	758	1245	1526	1628	
125°	394	787	1232	1523	1616	506
120°	329	769	1205	1461	1531	
115°	263	713	1129	1272	1167	447
110°	198	640	964	491	326	
105°	137	548	321	129	110	164
100°	81	371	90	32	22	
95°	34	70	27	5	3	23
90°	0	0	0	0	0	



LL8 T5

LumiLedge® Adjustable Linear Fluorescent Cove System - patent pending



LL8 | LumiLedge® T5 performance linear cove system

architectural cove quality

- LumiLedge® creates a clean, uniform and virtually seamless cove system
- Control cove horizontal and vertical surface quality while minimizing installation time
- Labor and material cost to frame and sheetrock a wood cove have been eliminated
- Electronic, High Power Factor integral ballast

photometric performance

- LumiLedge® with an 8" wide profile has improved photometric performance
- Extruded aluminum asymmetric reflector with specular finish
- Flexibility to adjust and control luminance up to 35 degrees
- Optic system with excellent performance produces smooth lumen distribution

clean aesthetics

- Available with opaque or translucent face
- Translucent face creates a luminous cove facade
- Opaque face can be painted any color to seamlessly blend cove system into environment
- Standard finish is white, powder coat, baked enamel; also available is a primer finish suitable for paint-matching in the field

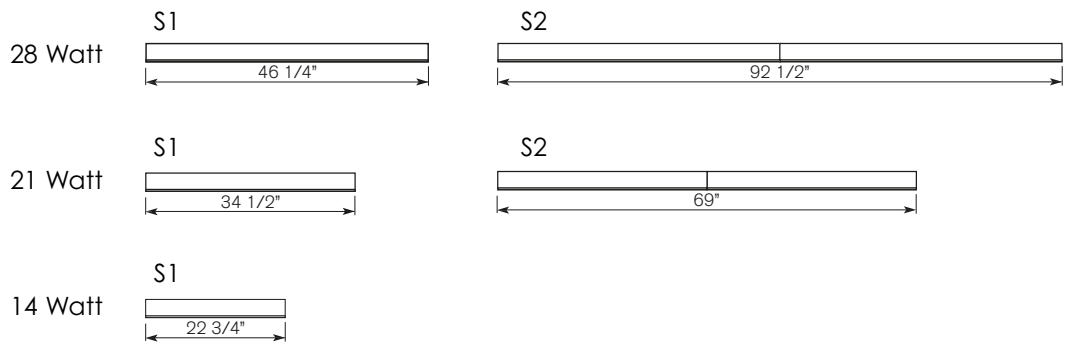
LL.8

how to specify: LL8 28 S1 1 D1 46 WH

PRODUCT	LAMP	LAMP CONFIG.	VOLTAGE	BALLAST	LUMINAIRE LENGTH	FACE PANEL
LL8 - T5	28 - 28 watt T5	S2 - 2 lamps (Tandem)	U - Universal 120 through 277v	E - Electronic High Power Factor	92 - 28 watt / S2 / 92.5 in.	WH - White
	21 - 21 watt T5	S1 - 1 lamp	<i>Please Specify Voltage For Dimming</i>	D1 - Digital Dimming DALI compatible	46 - 28 watt / S1 / 46.25 in.	BL - Blue
	14 - 14 watt T5		1 - 120V 2 - 277V	D3 - Lutron Eco-10™	69 - 21 watt / S2 / 69 in. 34 - 21 watt / S1 / 34.5 in. 22 - 14 watt / S1 / 22.75 in.	WB - Bamboo MA - Mahogany MR - Marble EA - Extruded Aluminum CS - Custom PR - Primer*

*Primer Finish
is suitable for
field painting

front view:



OPTIONS

EC - End Caps
Includes both
left and right

Color swatches
are located on
page REF.10

LL8 T5 Lumiledge® adjustable linear fluorescent

